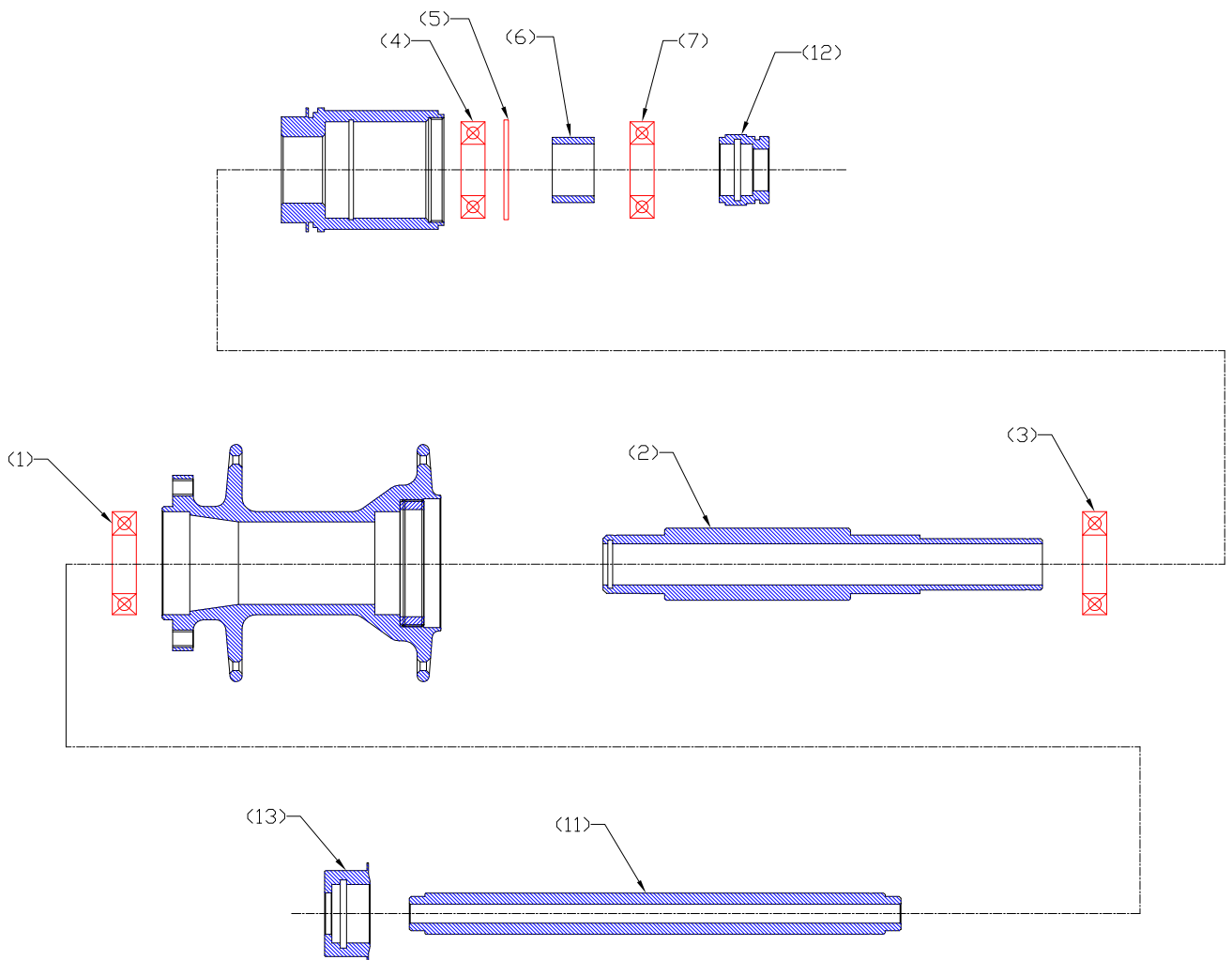




Draco rear hub assembly instructions



- 1, Press 30mm diameter bearing into disk end of hub shell.
- 2, Press in the main shaft from the ratchet end into the bearing.
- 3, Press 30mm diameter shaft bearing.

- 4, Press 28mm diameter bearing into cassette carrier.
- 5, Insert circlip into the cassette carrier.
- 6, Insert bearing spacer.
- 7, Press 28mm diameter bearing into the cassette carrier.
- 8, Insert pawls and springs into cassette carrier.
- 9, Lightly oil pawls.

- 10, Insert cassette carrier assembly into the hub.
- 11, Insert 12mm axle (optional).
- 12, Press on small end cap onto shaft.
- 13, Press on large end cap onto shaft.